

SKIRTING HEATING TRENCH HEATING

The Classic and Delta Skirting heating system
The Trench heating system



www.variotherm.com

VARIOTHERM

3 Good reasons for feeling good

1 FAST RESPONSE

Thanks to their low water content, Skirting heating and Trench heating systems can be regulated in quickly and in so doing provide the conditions for an all round comfortable living environment.

2 WARMING COLD SURFACES

Cold outer walls and cool glass surfaces are potential thermal bridges. Variotherm Skirting heating and Trench heating systems build up a veil of warm air, reliably screening off cold surfaces, preventing cold down draughts.

3 FLEXIBLE HEATING

Both Skirting heating and Trench heating systems are elegant, discreet and flexible in terms of their design whereby each system can be supplied to your exact room dimensions. The cladding of the Skirting heating system is available in over 200 RAL colours, or can be designed according to the customer's individual requirements, e.g. in solid wood. The attractively grid of the Trench heaters are available in three different colours.





Bitte beachten, dass
das Zimmer bis 12:00 Uhr
am 15.09.2023
für Sie reserviert ist!

SAVES SO MUCH ENERGY

Both Skirting heating and Trench heating systems have a very rapid response to changes in room temperature. Both systems operate with low water content and flow temperature. This leads to significant energy and emissions savings.

Two great alternatives

SO FLEXIBLE

The diverse cover variants enable the Trench heating system to blend in perfectly with all spatial situations. With their well thought-through architectural design, the trench heating systems can be inserted seamlessly along glass façades and in entrance areas or conservatories.



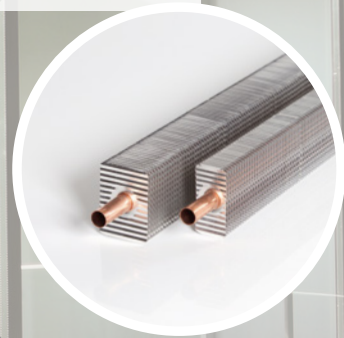
LINEAR or ROLL GRIDS

Available in plain aluminium, light bronze or black.



SO EFFICIENT

The choice is yours! Both the Skirting heating system and Trench heaters are highly efficient and come in attractive designs. The core component of both systems is the heating element developed by Variotherm. They quickly and reliably create a warm air barrier to outside, and in so doing provide a pleasant cosy atmosphere.



SO COLOURFUL

Over 200 RAL colours are available for the metal cladding of the Delta Skirting heating system.



The latest technology.
Specially designed.
Tried and tested in practice.
Pleasant radiant heat.

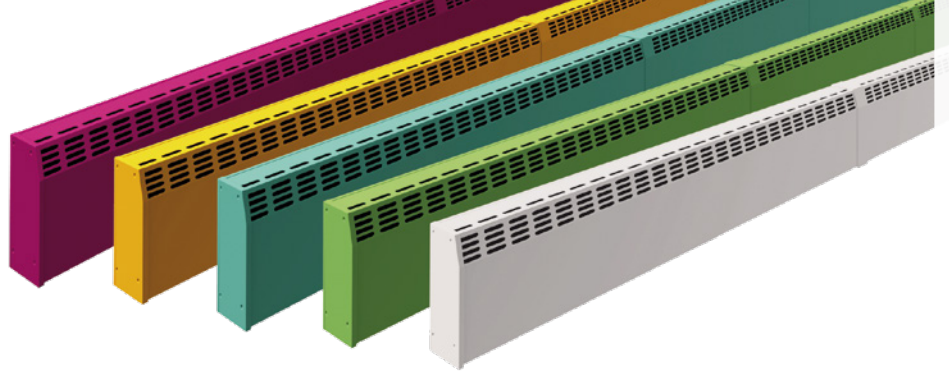
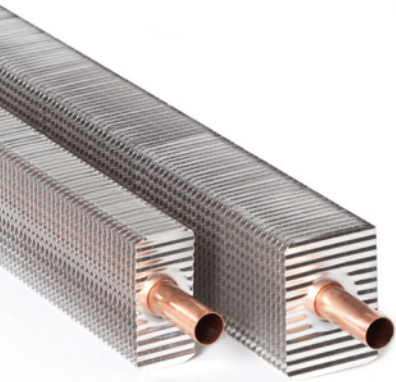


The advantages are clear! Variotherm skirting heating systems and trench heating systems provide effective screening against thermal bridges and ensure a cosy atmosphere.



Wonderfully discreet. Flexible usage options. In living spaces, conservatories and verandas, in schools, fitness studios, show rooms and office and administration buildings.





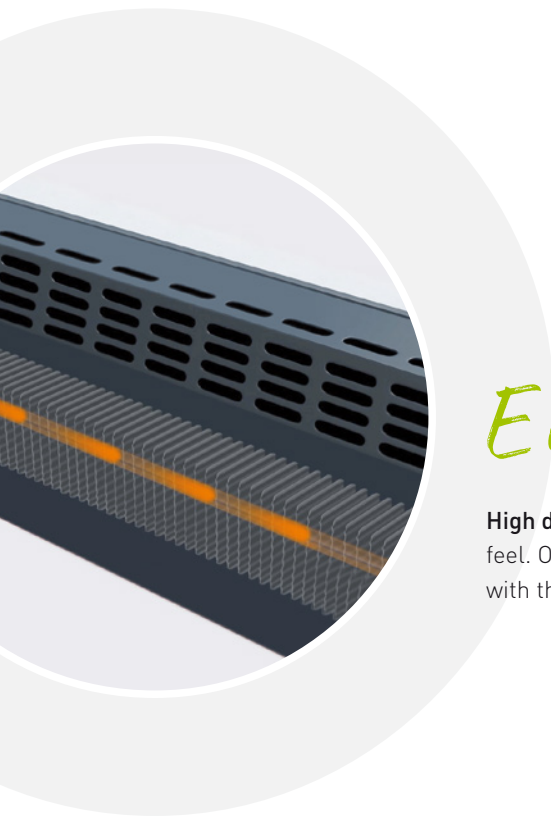
Stand out visually or blend into the room – choose your colour!

The heating elements developed by Variotherm are used both in skirting heating systems and trench heating systems.



Simple installation. Stable fixation.

With the help of the brackets, the Skirting heating systems can be quickly and easily installed along walls, niches, protrusions and window bases.



Everything you need

High degree of efficiency. Efficient heating performance. Cosiness you can feel. Our Skirting and Trench heating systems are attractively designed and with their coordinated colours, elegantly blend into all room situations.



The **individual temperature** can be regulated using a thermostatic valve.



Instant heat.

The TOUCH HK room thermostat regulates the room temperature quickly and easily.

Clever stuff!

All Variotherm heating distribution manifolds are fully assembled and pressure tested.



Technology and models



THE SPECIAL HEATING ELEMENTS

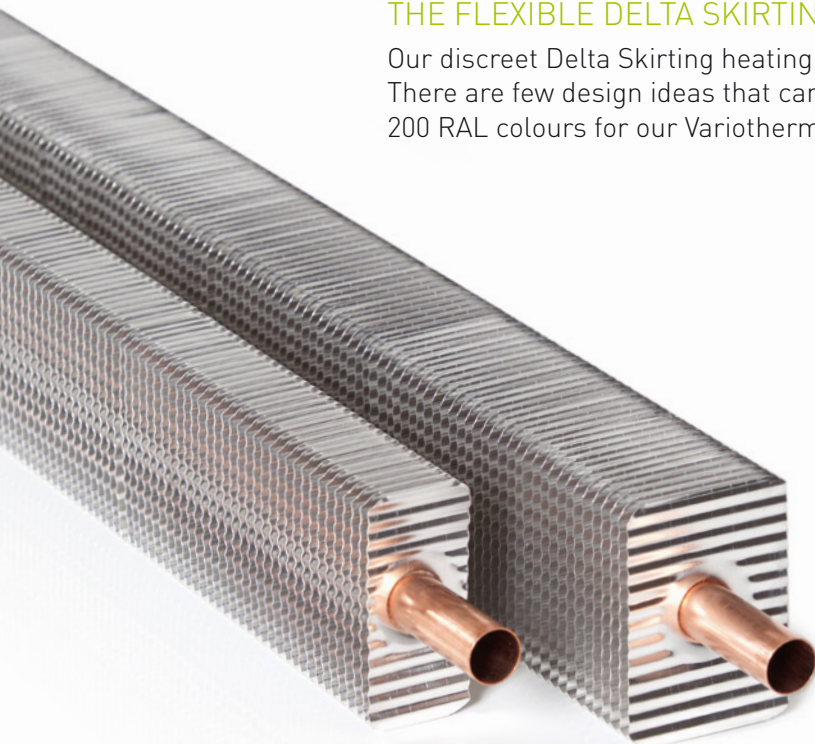
The specially developed heating elements from Variotherm are the technical core component of the Variotherm Skirting heating system. Highly efficient when it comes to performance. Optimised heat distribution.

THE PURE CLASSIC SKIRTING HEATING SYSTEM

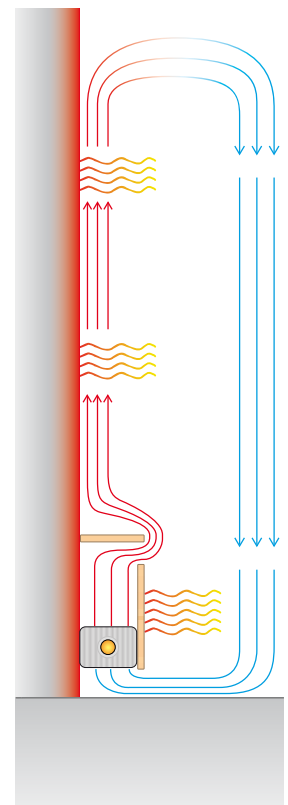
Your individual design. The Classic system simply comprises the heating elements and brackets. On the outside, you can fit them with any cladding you like (e.g. solid wood).

THE FLEXIBLE DELTA SKIRTING HEATING SYSTEM

Our discreet Delta Skirting heating system adapts its appearance to any wall. There are few design ideas that cannot be realized with over 200 RAL colours for our Variotherm metal cladding.



Heating elements

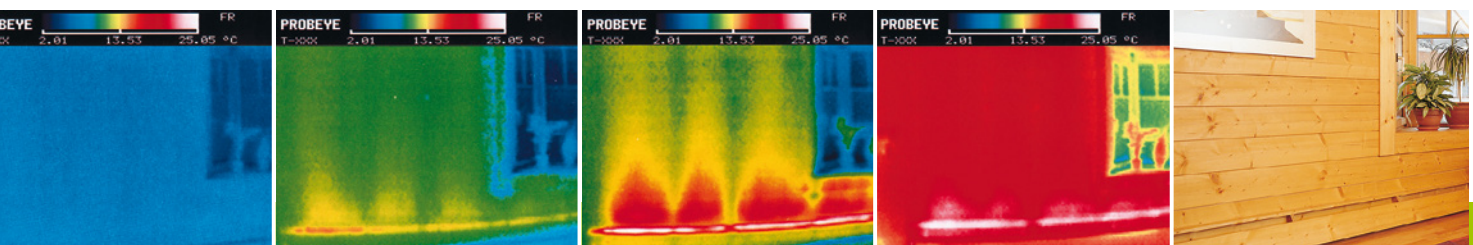


The Coandă effect:

As the warm air rises it is drawn towards the cold surface - the Coandă effect - this avoids large-scale air movements in the room.

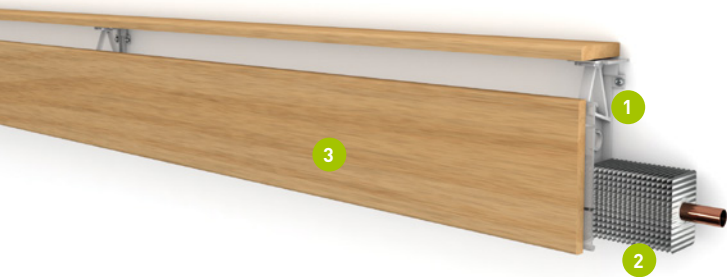
How a cold wall becomes a wall with radiant heat:

Infrared images show the effect of the Variotherm Skirting heating system. A veil of warm air is developed in just a few minutes. It acts as a screen against the cold and heats cool walls.



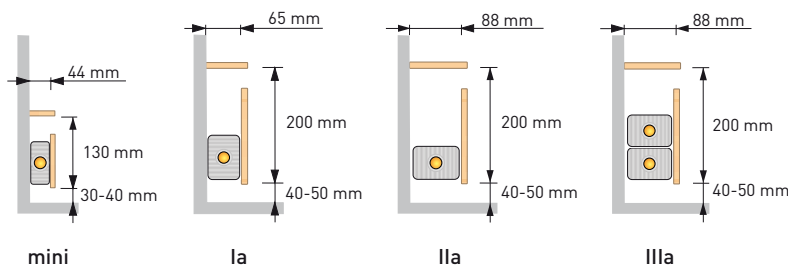
Here are a few examples of how you can easily create your own designs for the Classic Skirting heating system. Solid timber, wood grain effect, glass, etc.

Classic



Classic Skirting heating system

- 1 Bracket
- 2 Heating element
- 3 e.g. wooden cladding



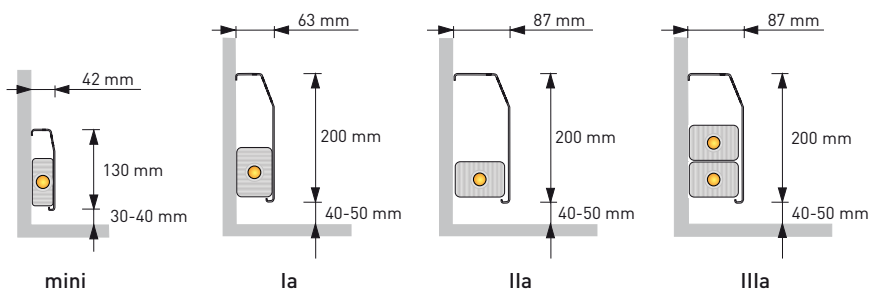
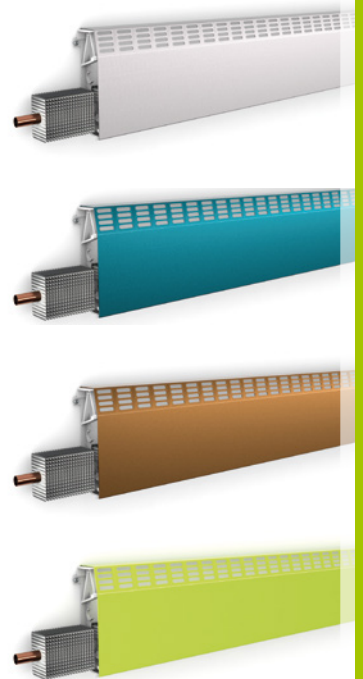
Delta



Delta Skirting heating system

- 1 Bracket
- 2 Heating element
- 3 Metal cladding

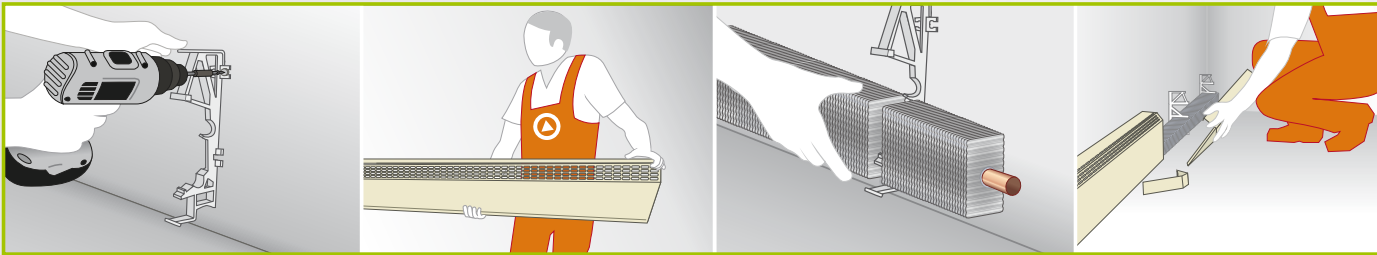
Metal cladding is included with the Delta Skirting heating system. We keep White RAL 9001 in stock, all other colours are available on request.



Skirting heating system are that easy to install

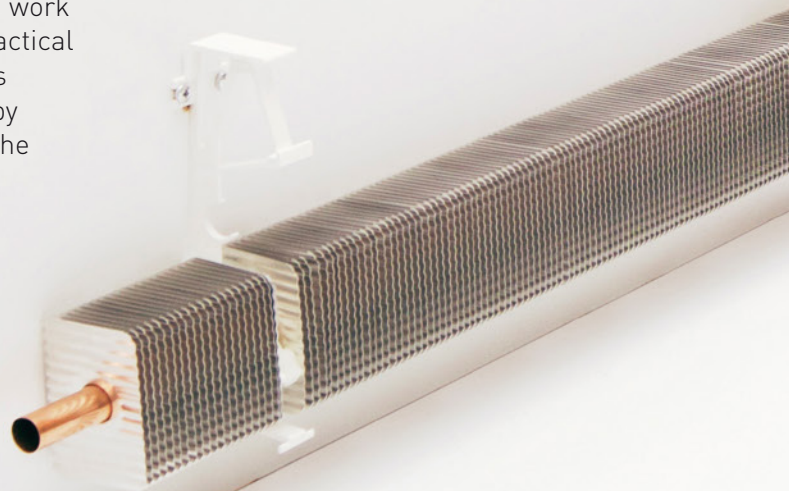
1 THE SUBSTRUCTURE

The Delta and Classic Skirting heating system can easily be attached to all finished plastered walls, wood panels, niches, wall protrusions or window bases.



2 INSTALLING THE SKIRTING HEATING SYSTEM

All the steps needed to complete the installation work have been developed by specialists with their practical application in mind. The installation procedure is therefore quick to finish, and can be conducted by just one person. Simply screw the bracket onto the wall and insert the heating elements.





3 FINAL INSTALLATION

The final installation is also quickly completed with both models. Connect the heating elements. Attach the cladding. That's all there is to it.

TRENCH HEATING SYSTEM

Technology and models

THE HIGH-PERFORMANCE TECHNOLOGY

The heating elements developed and produced by Variotherm consist of a high-quality copper pipe with specially formed aluminium heating louvres. Tried and tested over many years, our technology guarantees an outstanding degree of heating efficiency.

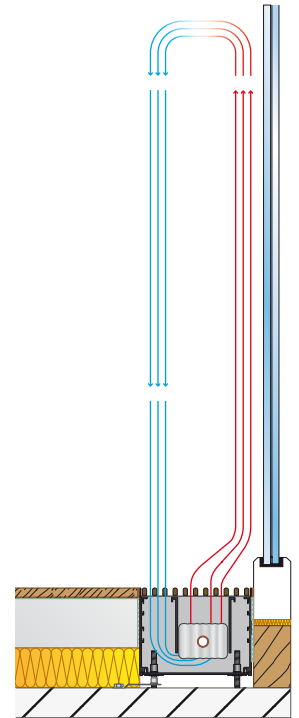


THE BKH1 and BKH1 mini TRENCH HEATING SYSTEM

The BKH1 Trench heating system stands out for its individual high-performance heating element. It is 180 mm wide. The BKH1 is available in two different heights of 140 mm or 90 mm. It is available in all lengths, and can be ordered to size in accordance with building requirements.

THE BKH2 and BKH2 mini TRENCH HEATING SYSTEM

The higher-output BKH2 Trench heating system has two heating elements for even more heat output. It is 260 mm wide. The BKH2 is also available in two height versions of 140 mm or 90 mm. It is available in any length and can be ordered precisely to size.

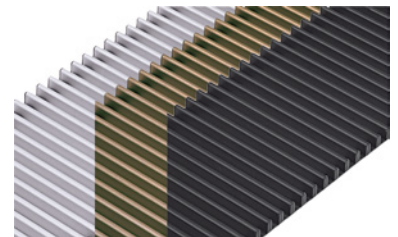


Unique: The heating element of the Variotherm Trench heating system is right beside the glass surface. It causes a veil of warm air build up within seconds, which shields against the cooling effects of cold surfaces.



LINEAR OR ROLL GRIDS IN 3 DIFFERENT COLOURS

Both the linear grid and the roll grid have an attractive visual design and are easy to clean. The grids are available in plain aluminium, light bronze or black.



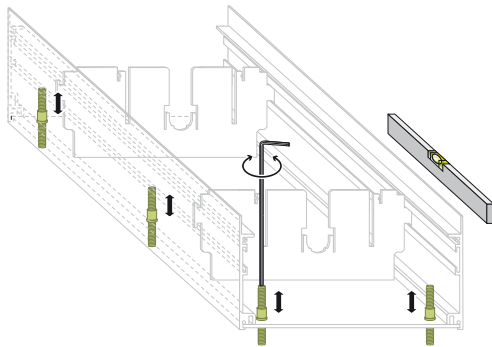
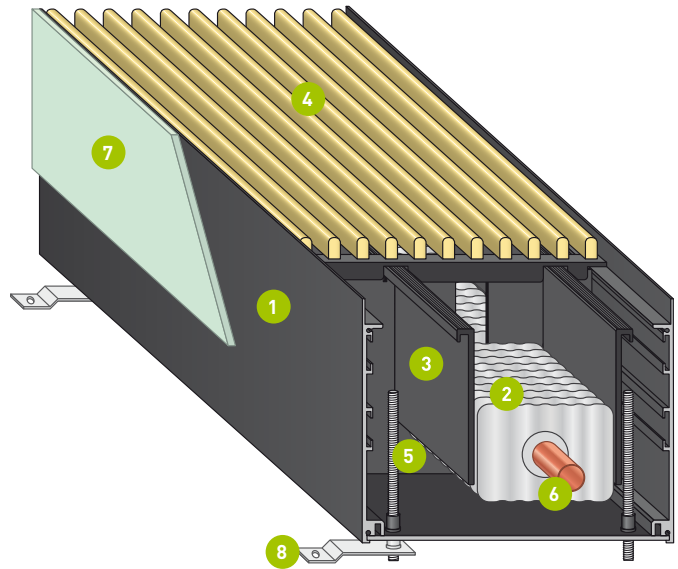
Linear grid

Roll grid



TRENCH HEATING SYSTEM

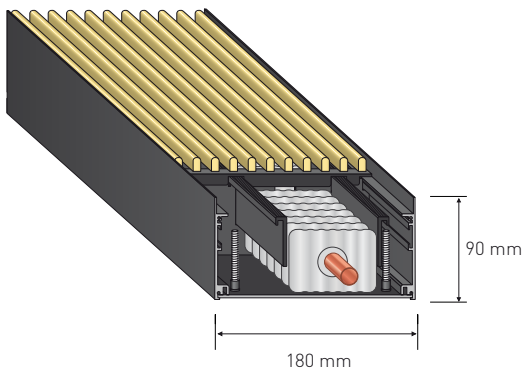
- 1 Trench heater frame
- 2 Heating element
- 3 Air baffle plate
- 4 Linear or roll grid
- 5 Adjustment screws
- 6 Copper pipe
- 7 Side strips, green
- 8 Attachment bracket



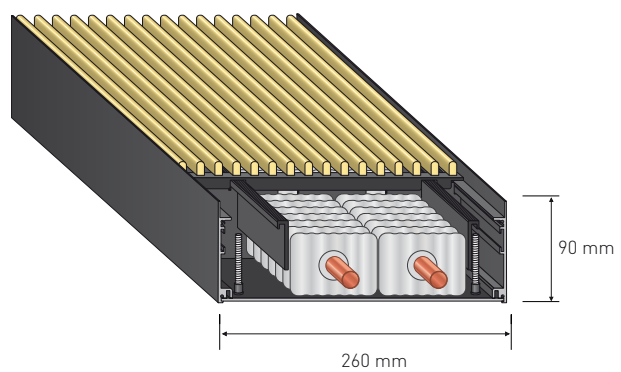
STABLE ADJUSTMENT. NO UNDERFILLING.

Another feature of the Variotherm Trench heating system are the adjustment screws. Due to the narrow gaps, the Trench heating system can be walked on immediately after installation.

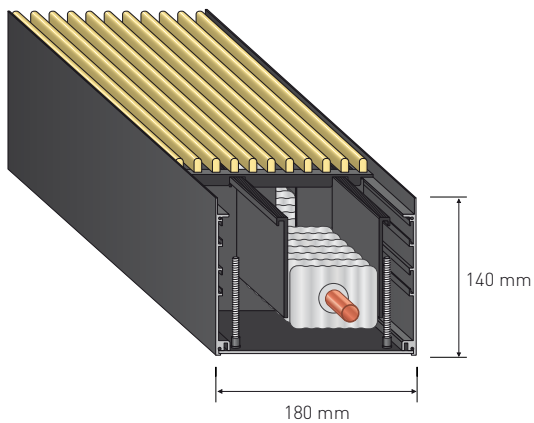
Type BKH1 mini



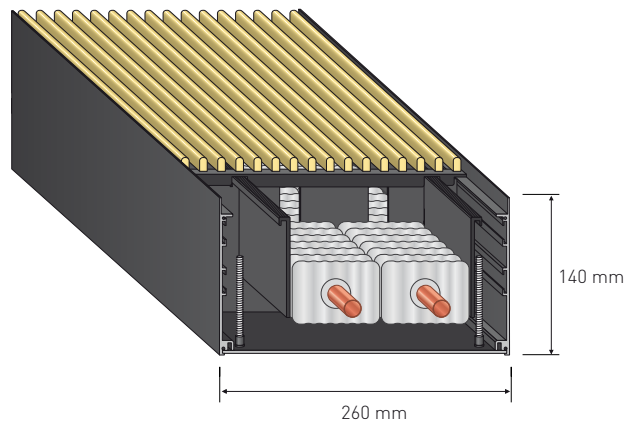
Type BKH2 mini



Type BKH1



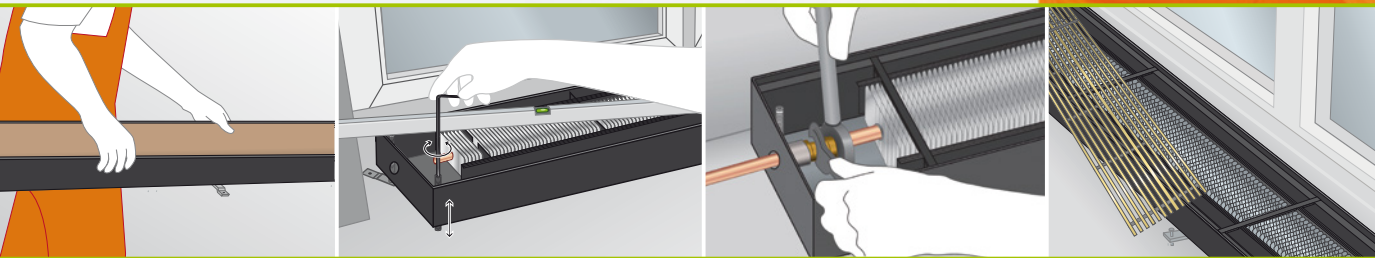
Type BKH2



Installing Trench heating

1 THE SUBSTRUCTURE

As a base, any standard level untreated concrete is suitable before the screed is applied. Wooden floor structures also lend themselves to this purpose.



2 INSTALLING THE TRENCH HEATING SYSTEM

This is quality of service: All Variotherm Trench heating system are delivered already pre-assembled with the correct length, and only need to be aligned and screwed into place on site. Using the interior adjustment screws, the Trench heater can be precisely set to the required floor level. Subsequent adjustment is possible at any time. No underfill is required.

3 FINAL INSTALLATION

After the Trench heating system have been connected to the heating circuit, the complete system is ready for the application of the screed and the installation of the floor covering. The Trench heaters are safe to walk on as soon as the linear or roll grids have been inserted.





VARIOTHERM

Heating. Cooling. Comfort. For a lifetime.

GUARANTEED BY STRONG ARGUMENTS

SKIRTING HEATING SYSTEM

- Hot water heating system works in seconds
- Environmentally friendly and energy saving
- Extremely flexible and individual
- The influence of cold surfaces is alleviated
- A hot air veil generated along cold walls
- Combats damp and mould formation on walls
- 10 year guarantee

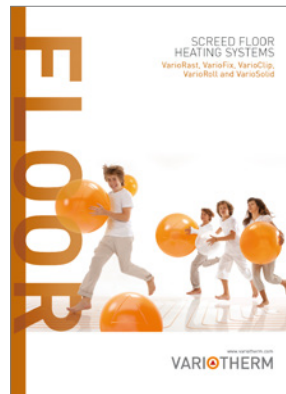
TRENCH HEATING SYSTEM

- Roll or linear grids in 3 different colours
- Efficiently shields against the cooling effect of glass surfaces
- Very fast response
- Visually discreet – individual room use is not compromised in any way
- Lengths are produced exactly to your requirements
- Guaranteed short delivery times
- 10-year guarantee

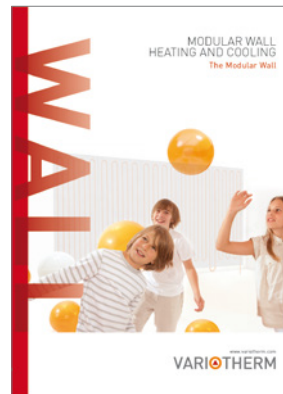
ALSO AVAILABLE FROM VARIOTHERM



DRYWALL CONSTRUCTION
SYSTEM - 20 mm



SCREED SYSTEMS



WALL HEATING / COOLING



CEILING COOLING / HEATING

VARIOTHERM HEIZSYSTEME GMBH
GÜNSELSDORFER STRASSE 3a
2544 LEOBERSDORF
AUSTRIA

T: 0043 2256 648 70 0
F: 0043 2256 648 70 9

office@variotherm.com www.variotherm.com



PRODUCT VIDEO



YOUR VARIOTHERM PARTNER

